



Model No.	PROFICIENCY COMFORT HEIGHT
N7771	Comfort Height, ADA-Compliant Elongated Front, 4.5 lpf Single-Flush, Two-piece Toilet



FEATURES



ULTRA HIGH EFFICIENCY FLUSH

Our patented air transfer system delivers a swift and quiet, yet powerful flush with just 4.5 litres of water.



SOFT-CLOSE SEAT

The toilet lid and seat close with a light touch, preventing slamming. Moulded with durable, heavy-duty break-resistant plastic.



LARGE WATER SURFACE

Air is transferred to the trapway during filling of the tank, exerting positive pressure on the water in the bowl and creating a larger surface.



COMPACT DESIGN

Install and renovate with ease. Have more room for vanities, shelving, or cabinets.



SUPERIOR ENGINEERED CERAMICS

High-glazed vitreous china provides a smooth, low-friction surface.



LARGE TRAPWAY

Largest trapway in the industry for a gravity flush toilet that passes 60mm ball test.



STYLISH FLUSH BUTTON

Inconspicuous, top-mounted, break-resistant, spring-loaded, and finished in polished chrome.



BUILD GREEN
accrue LEED Canada credit points:

UP TO **6** LEED POINTS For commercial buildings

UP TO **2** LEED POINTS For residential buildings



Model No.	PROFICIENCY COMFORT HEIGHT
N7771	Comfort Height, ADA-Compliant Elongated Front, 4.5 lpf Single-Flush, Two-piece Toilet

PERFORMANCE

The Proficiency harnesses the energy of water filling the tank to pressurize the trapway via a patented air transfer system. When flushed, air is sucked out of the trapway, initiating the highly efficient siphonic action. This new technology gives the Proficiency the leading edge in water efficiency. It has the largest trapway (60mm ball pass test) of any siphon toilet which makes it basically clog free. The waterspot is one of the largest in the industry – greatly aids with scouring the bowl and keeping it clean. Commercial grade performance with 1000 MaP rating.

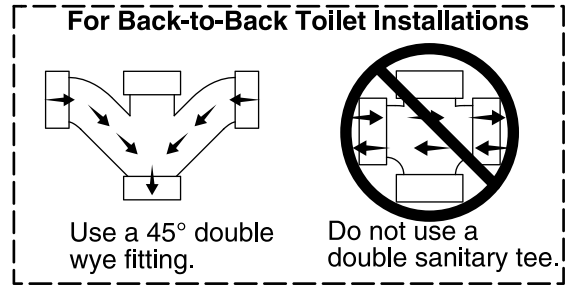
SPECIFICATIONS

Water Usage	4.5 lpf / 1.1 gpf
Flush System	Patented Air Transfer System - Canadian-engineered
MaP Rating	1000g
Water Pressure Range	Variable
Water Surface Area	8¼" X 11" (184 mm X 235 mm)
Trap Diameter	2 ⅜" (60 mm)
Trap Seal	2 ⅜" (60 mm)
Rough-In	12" (305 mm)
Large Footprint	10 ⅛" X 20 ⅜" (260 mm X 525 mm)
Material	High glaze vitreous china
Colours	White

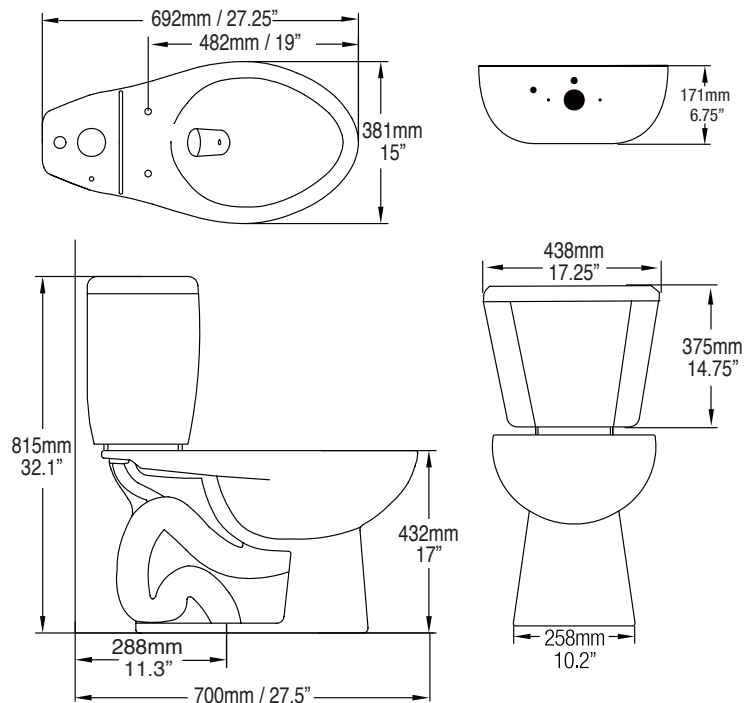
Warranty Lifetime on china
10-year warranty on air transfer system; 1-year on valves

Eligible for the highest tier of municipal toilet rebates, where available

Complies with ASME A112.19.2 and CSA B45 codes and surpasses standards for MaP and drainline carry capacity



DIMENSIONS



Ultra High Efficiency Toilet
UHET

SHIPPING DIMENSIONS & WEIGHT

N7771T TANK

19" x 10" x 16.5"
(482mm x 254mm x 406mm)
38 lbs. (17.2 kg)

N7771EB BOWL

29" x 15" x 19"
(737mm x 381mm x 483mm)
60 lbs. (27.2 kg)

Specifications are subject to change without notice.

Distributed & marketed by:



WATER MATRIX™
THE FUTURE OF WATER SOLUTIONS

Head Office

7930 Huntington Rd, Unit 3, Vaughan, Ontario, Canada L4H 4M8
Tel: (905) 850-8080 Fax: (905) 850-9100 Toll-Free: 1-800-668-4420
Email: sales@watermatrix.com Website: www.watermatrix.com